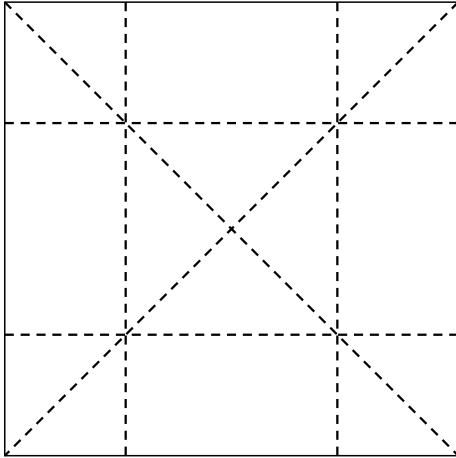


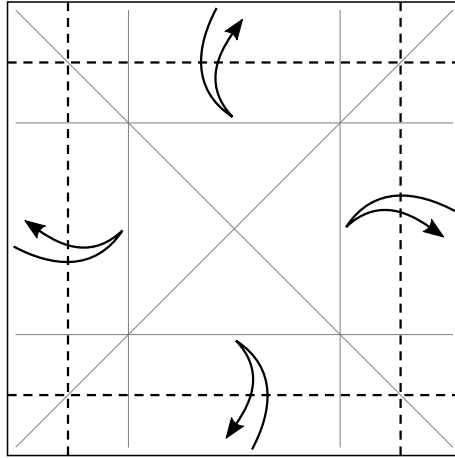
4

1.



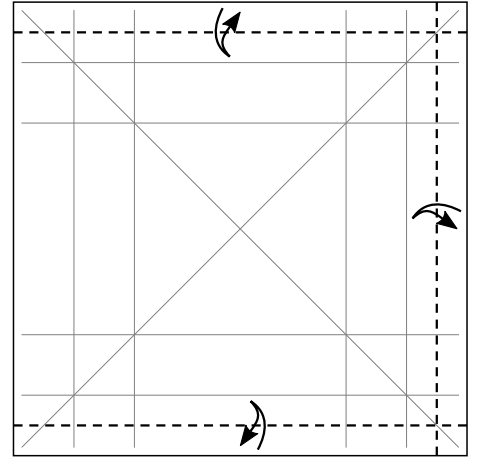
Crease the 4/15 Base.

2.



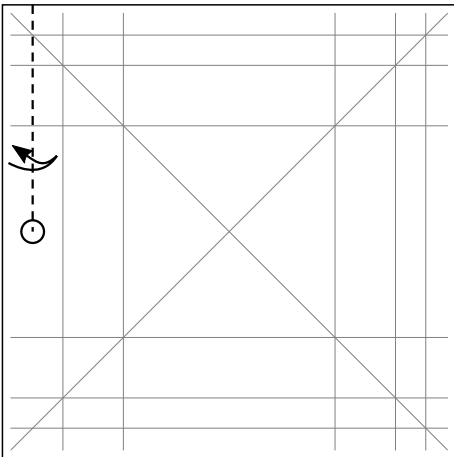
Fold the edges to the creases and unfold.

3.



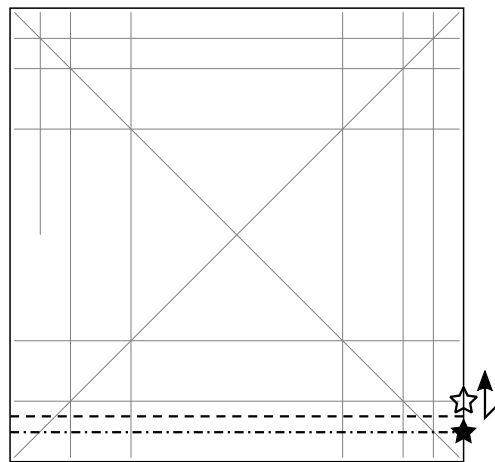
Fold the edges to the creases and unfold.

4.



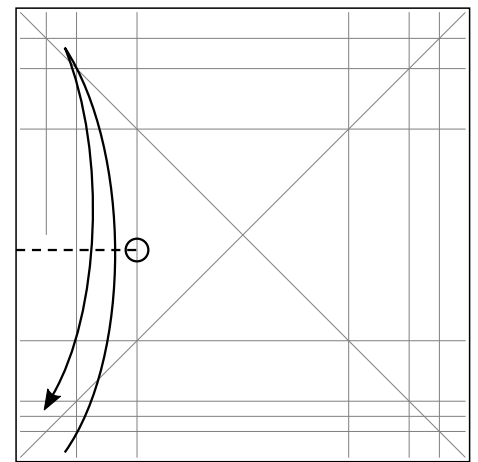
Fold the edge to the crease and crease up to the circled point, roughly halfway down the model.

5.



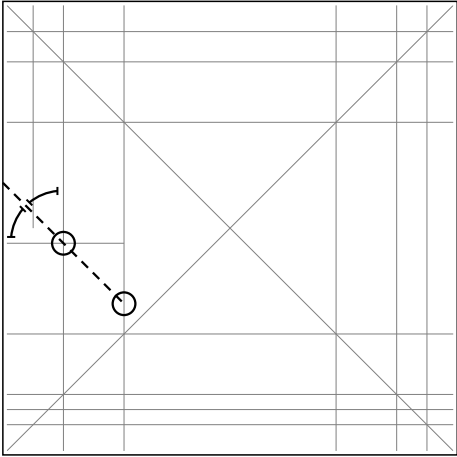
Pleat and unfold.

6.



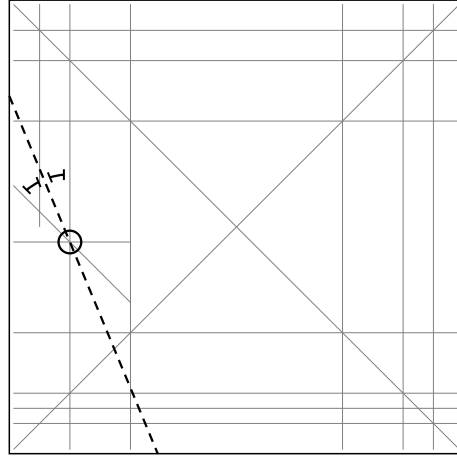
Bring the edge to the crease and crease up to the circled point.

7.



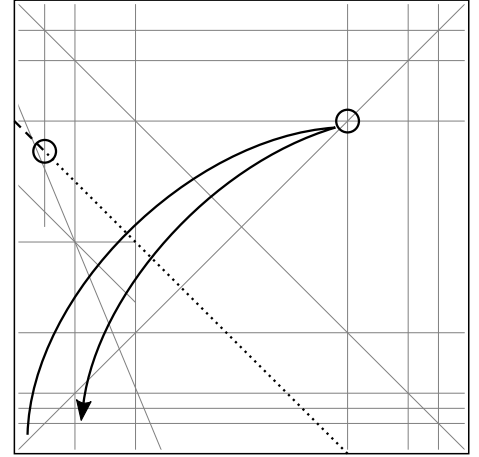
Crease the angle bisector.

8.



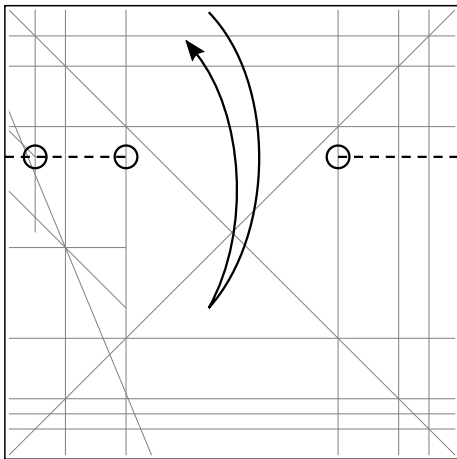
Crease the angle bisector.

9.



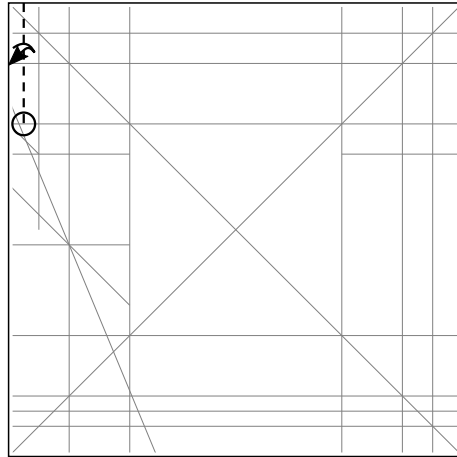
Make a short crease.

10.



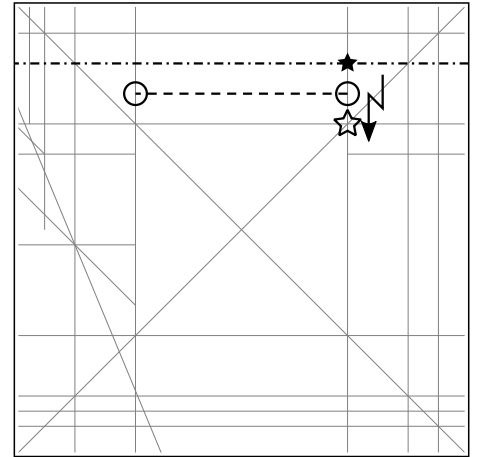
Crease on both sides.

11.



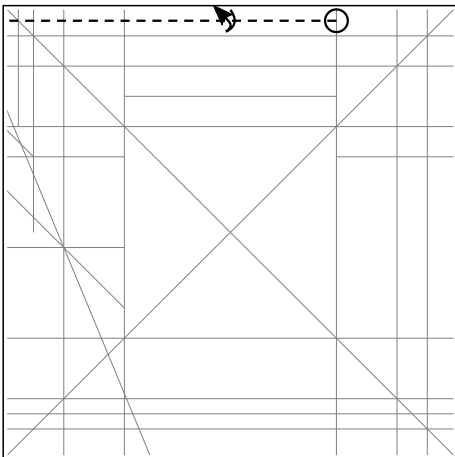
Bring the edge to the crease and crease up to the circled point.

12.



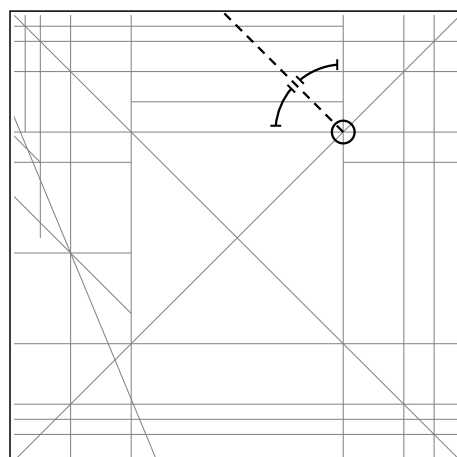
Partially pleat and unfold.

13.



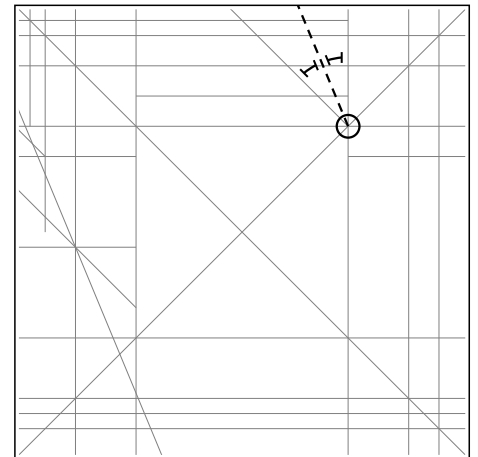
Bring the edge to the crease and crease up to the circled point.

14.



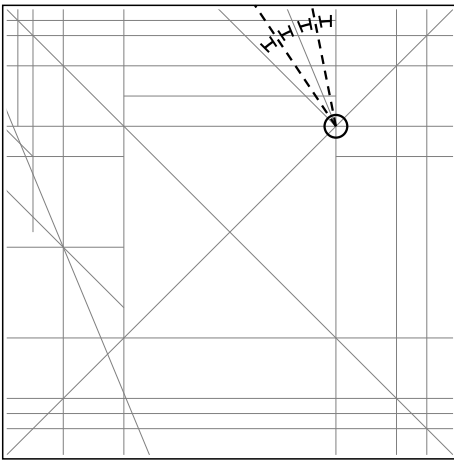
Crease the angle bisector.

15.



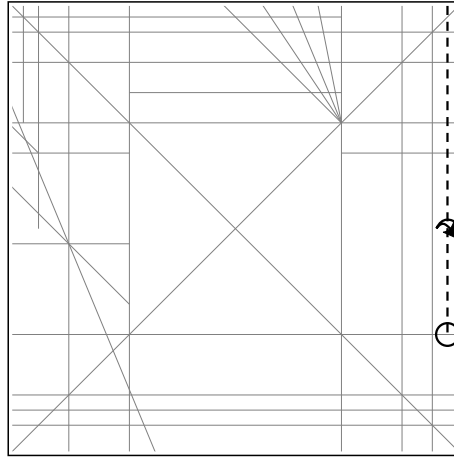
Crease the angle bisector.

16.



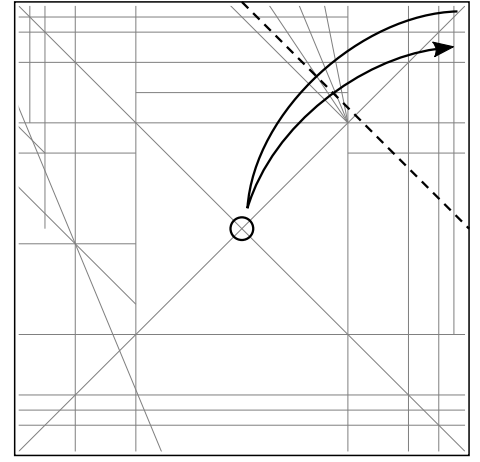
Crease the angle bisectors.

17.

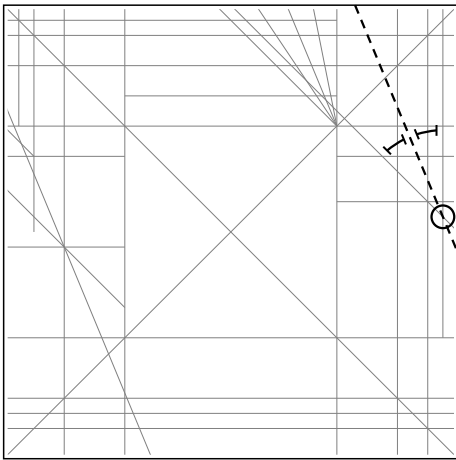


Bring the edge to the crease and crease up to the circled point.

18.

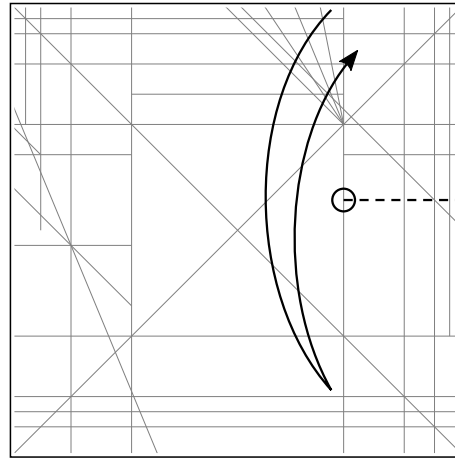


19.



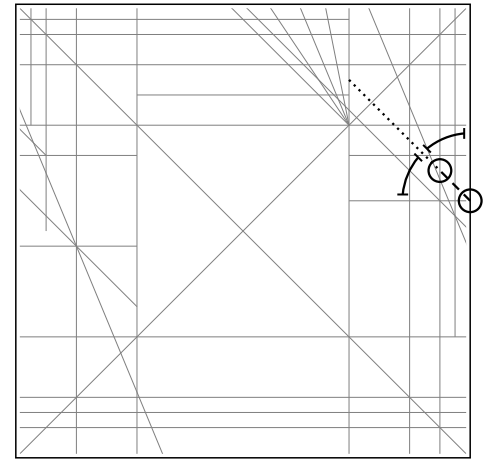
Crease the angle bisector.

20.



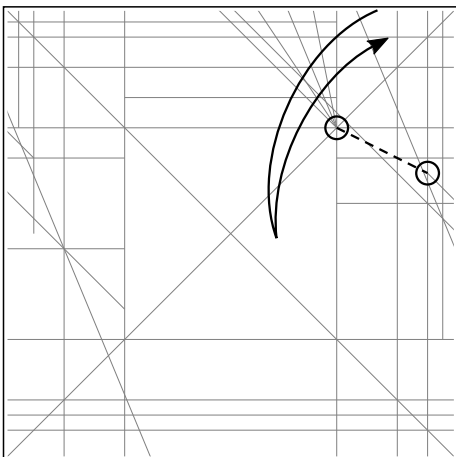
Bring the edge to the crease and crease up to the circled point.

21.

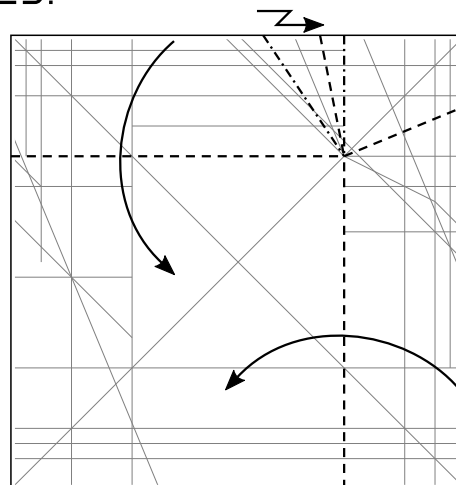


Make a small crease along the angle bisector

22.

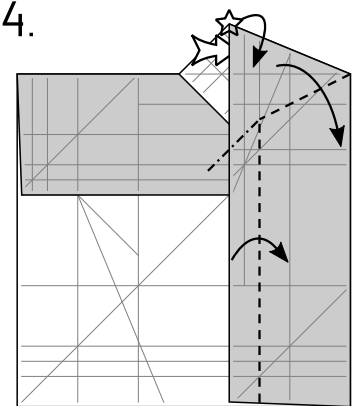


23.



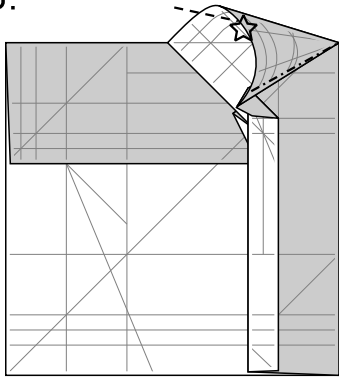
Collapse along five existing creases and one new crease.

24.



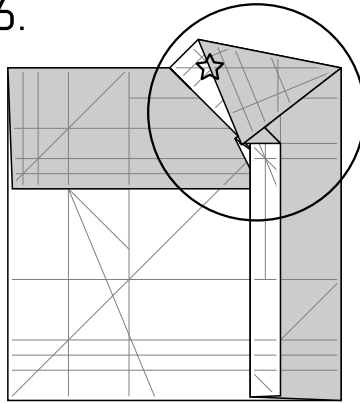
Open up the pocket and fold along the creases, folding the starred point to an existing crease.

25.



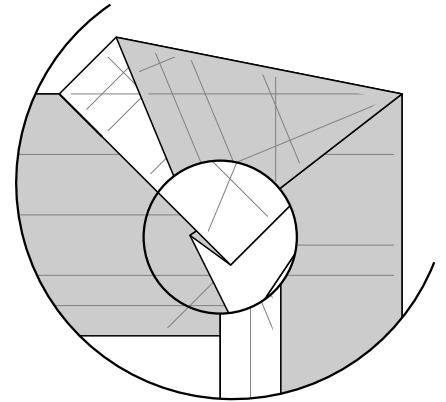
In progress.

26.



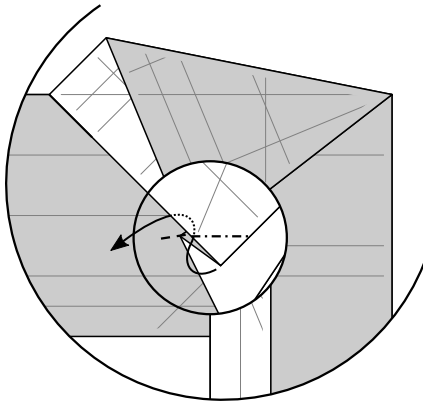
Done. Zoom in.

27.



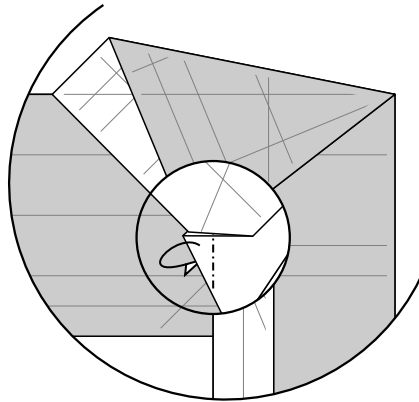
X-ray view.

28.



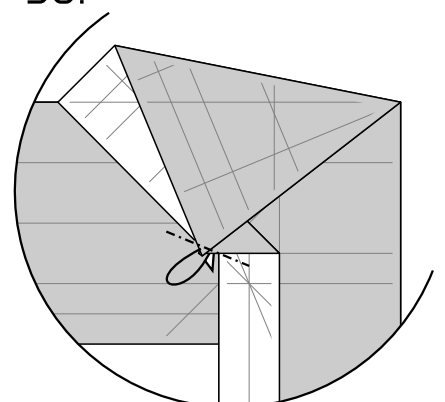
Inside-reverse-fold the tiny flap.

29.



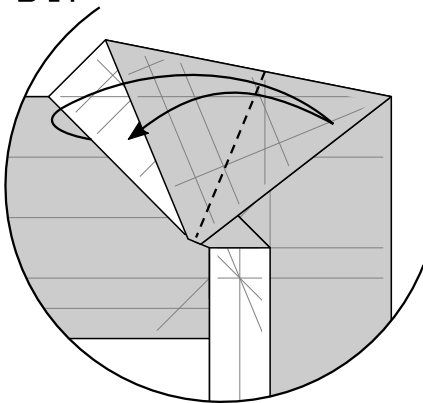
Fold the flap inward.
Return to normal view.

30.



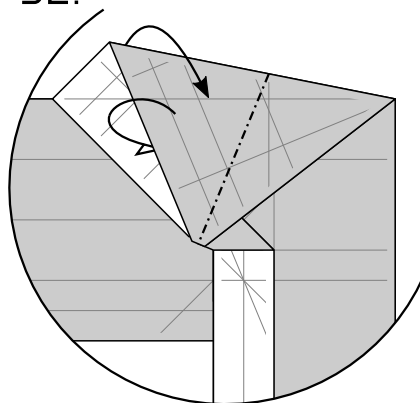
Fold the flap inward to
hide the tiny wrong color section.

31.



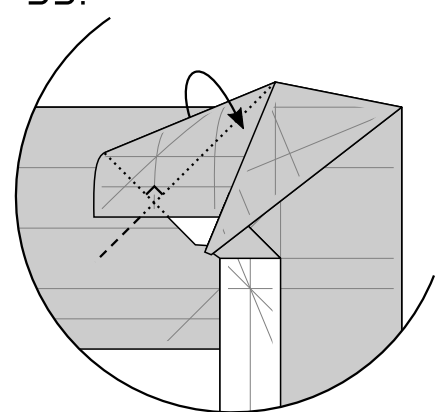
Carefully crease two layers along
the crease in the lower layer.

32.



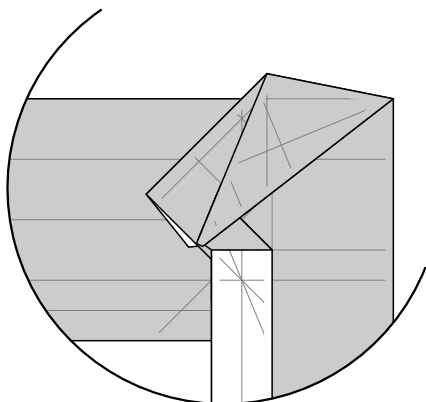
Fold just the top layer inward,
rolling the top crease.

33.



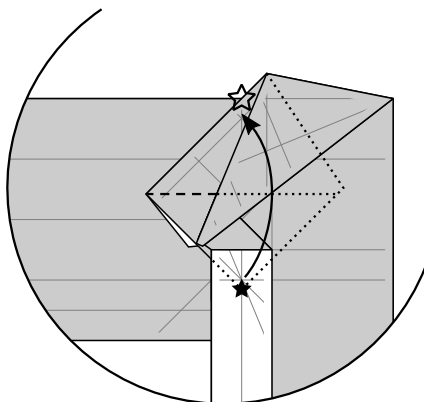
In progress.
Keep rolling the top crease.

34.



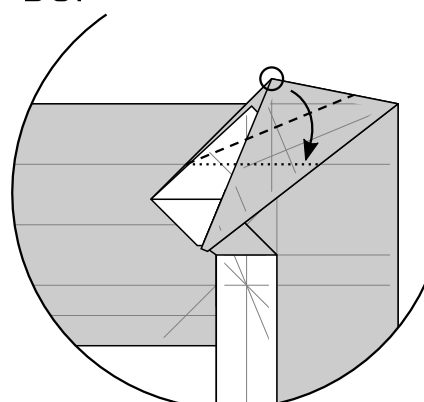
Done.

35.



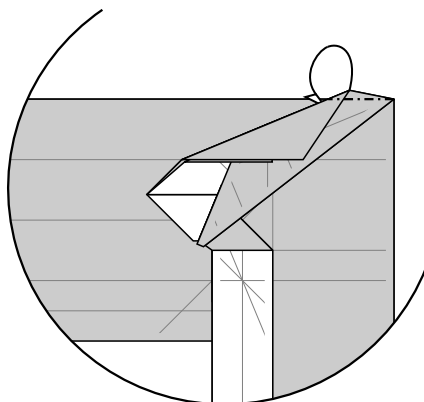
Fold one layer.

36.



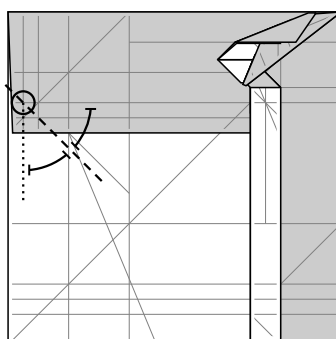
Fold the circled point to the dotted line.

37.



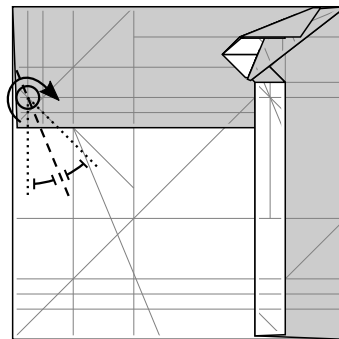
Fold the corner inward.
Zoom out.

38.



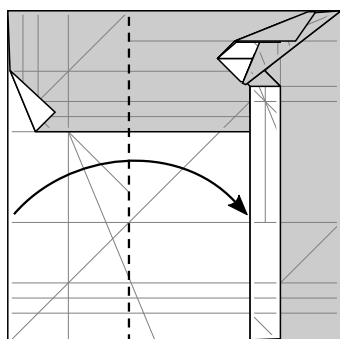
Crease the top layer
along the angle bisector.

39.



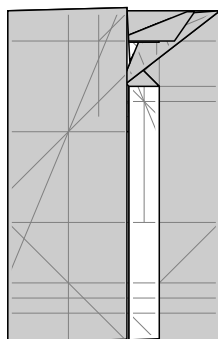
Fold the angle bisector.

40.



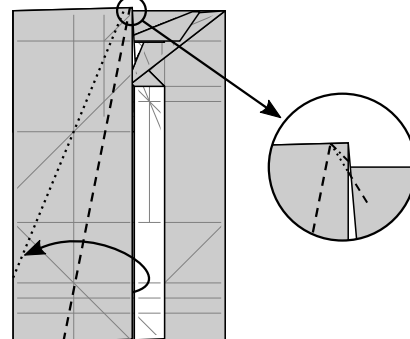
Fold along the crease.

41.



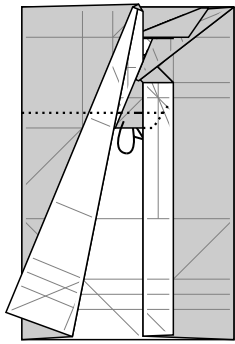
Like this.

42.



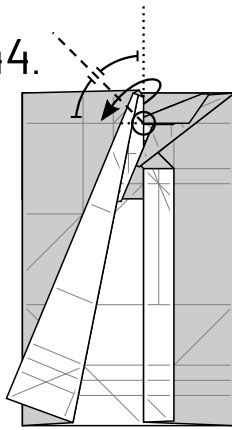
Fold to the dotted line and
squash the top.

43.



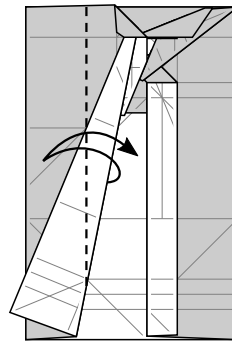
Fold the edge inward along the crease.
You may need to open up the model a bit.

44.



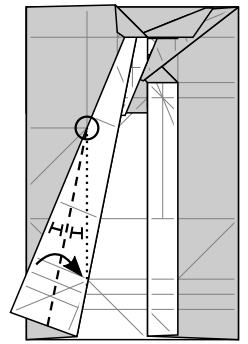
Fold the angle bisector.

45.



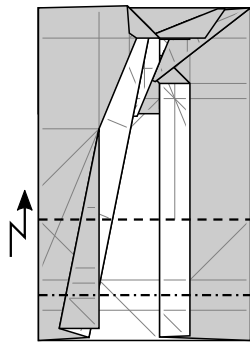
Carefully crease two layers along the crease in the lower layer.

46.



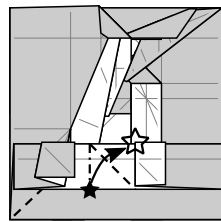
Fold the angle bisector.

47.



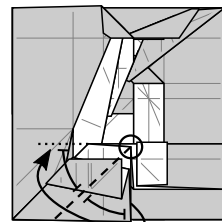
Pleat along existing creases.

48.



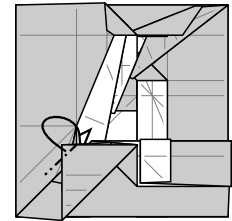
Swivel-fold.

49.



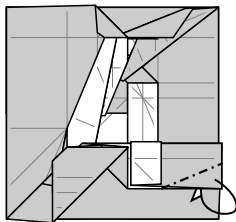
Fold the angle bisector.

50.



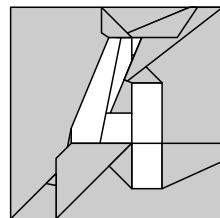
Fold the corner inward to hide the wrong-color seam.

51.



Fold the corner inward to hide the wrong-color seam.

52.



Finished!